



**SPECIAL  
BIG OFFER**

**ALL  
CIVIL ENGINEERING  
COURSES  
&  
TEST SERIES  
ONLY AT**

**RS. 299/-**

DOWNLOAD  
EVEREXAM APP



**For Enquiry : 8595517959**

**| www.everexam.org**

[www.everexam.org](http://www.everexam.org)

Mob.: 7827455078



Q : The recommended value of weaving length in a rotary intersection for design speed of 30 km/h is \_\_\_\_\_. [ UPRUVNL JE 2020 ]

A : 30-60 m

B : 20-40 m

C : 90-110 m

D : 45-90 m

## Weaving length:

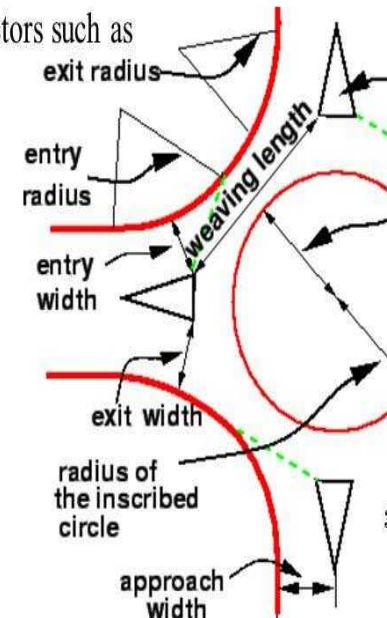
- Determines how smoothly the traffic can merge and diverge.
- The ratio of weaving length to the weaving width i.e. 4:1 is regarded as the minimum value suggested by IRC.
- Very large weaving length is also dangerous, as it may encourage over-speeding.

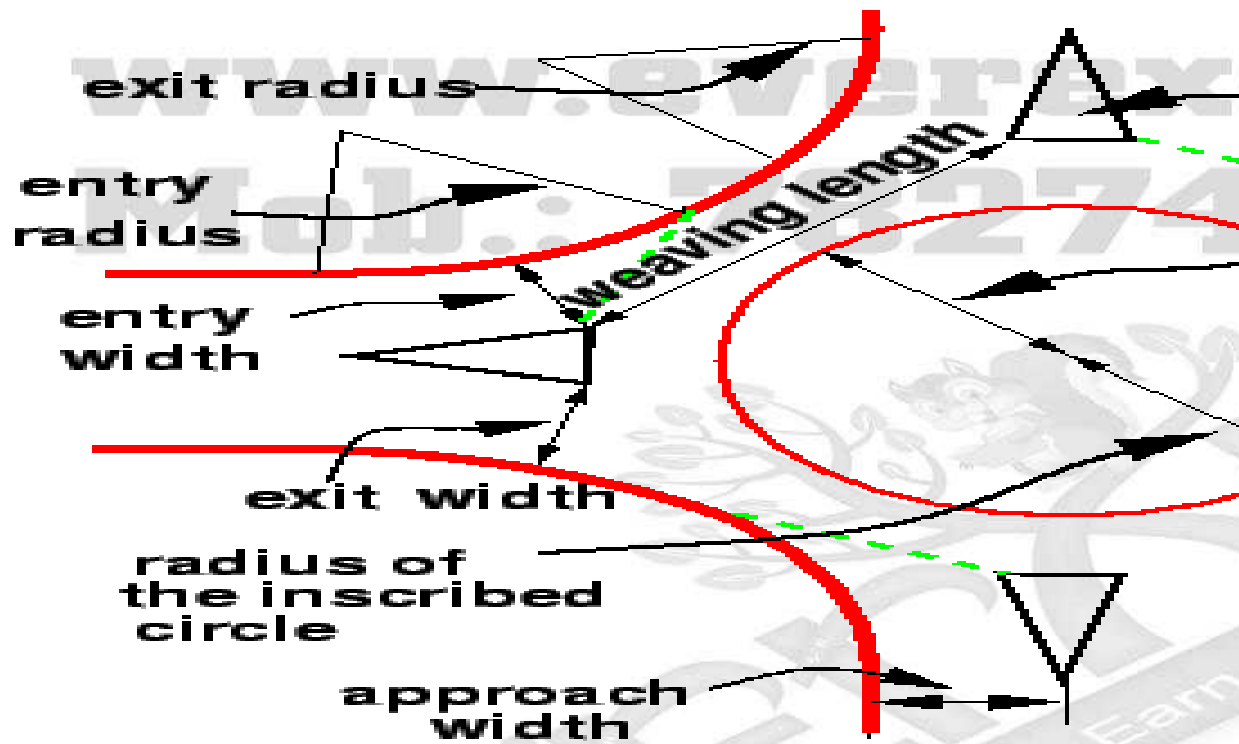
Sl.no	Design speed, kmph	Min <sup>^</sup> weaving length, m
1.	40	45
2.	30	30

Table: Current Indian practice as regard to weaving length.

## WEAVING LENGTH

- Determines how smoothly the traffic can merge and diverge.
- Decided based on many factors such as
- Weaving width,
- Average width of entry
- Traffic.





www.everexam.org  
Tel: 927455078

Learn More, Earn More

YouTube CHANNEL

EVEREXAM

**Q : When tested by Le-chatelier method as per IS: 4031-1988, unaerated ordinary rapid hardening cement shall NOT have an expansion of more than: [ UPRUVNL JE 2020 ]**

**A : 25 mm**

**B : 20 mm**

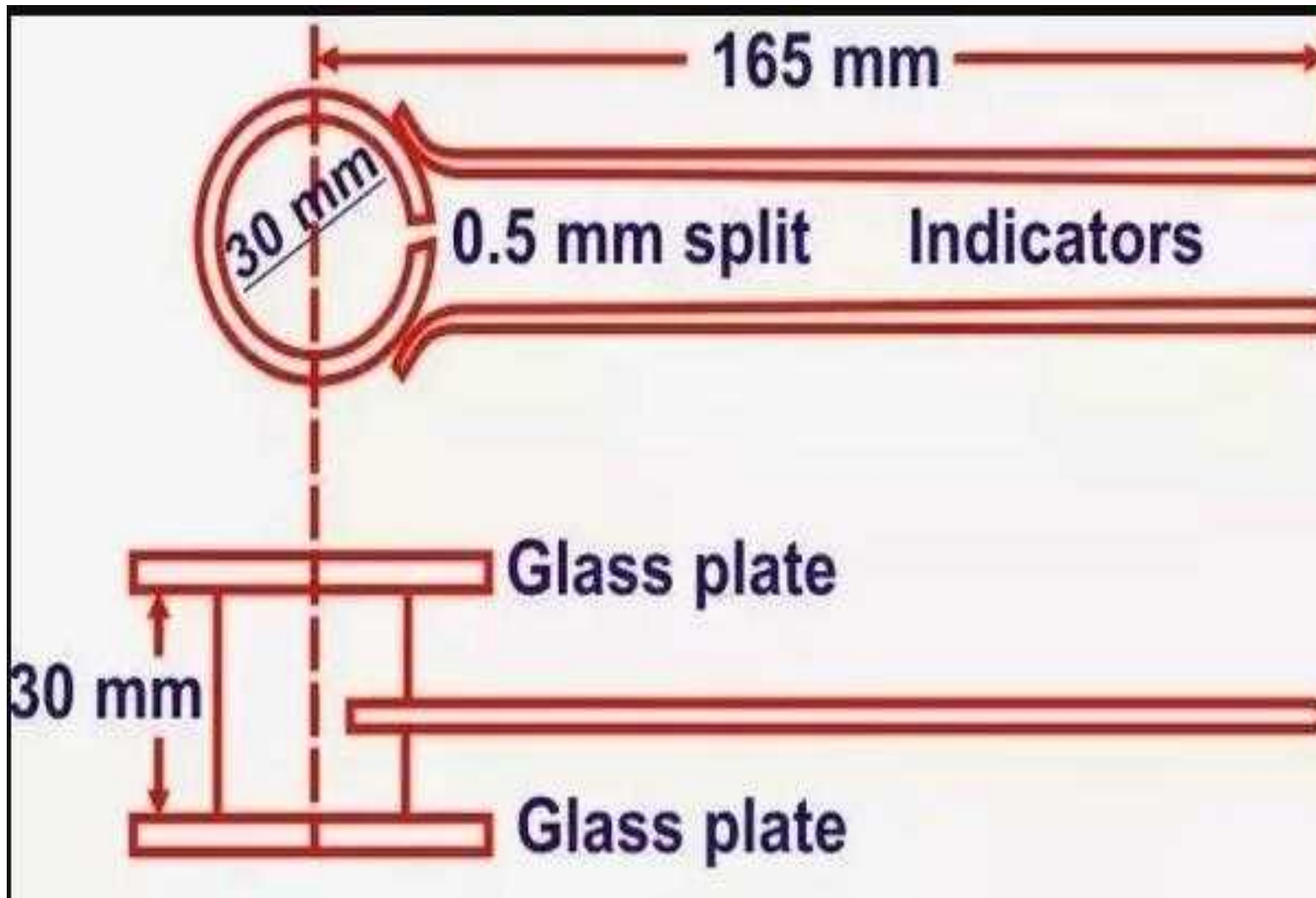
**C : 10 mm**

**D : 30 mm**



**YouTube CHANNEL**

**EVEREXAM**



YouTube CHANNEL

EVEREXAM



**Q : The time elapsed between the moment at which water added to the ordinary Portland cement and the moment at which ordinary portland cement paste completely lost its plasticity should, NOT be greater than:**

**[ UPRUVNL JE 2020 ]**

**A : 500 min**

**B : 700 min**

**C : 600 min**

**D : 800 min**

**YouTube CHANNEL**

**EVEREXAM**



EVEREXAM



Q : When tested by Vicat's apparatus as per IS: 12600 - 1989,  
initial setting time (in min) for low heat cement is NOT less than:

[ UPRUVNL JE 2020 ]

A : 30

B : 90

C : 120

D : 60



YouTube CHANNEL

**EVEREXAM**

**Q : A water supply scheme has to be designed for a city having a population of 100,000 people. if the average consumption is 250 Lpcd, the estimated daily draft is: [ UPRUVNL JE 2020 ]**

**A : 45 MLD**

**B : 25 MLD**

**C : 15 MLD**

**D : 35 MLD**



**YouTube CHANNEL**

**EVEREXAM**

**Q : Which of the following growth curves follows S-shape?**

**[ UPRUVNL JE 2020 ]**

**A : Coliform**

**B : Population**

**C : COD**

**D : BOD**



**YouTube CHANNEL**

**EVEREXAM**

Q : A soil sample has porosity of 40%. The void ratio of the soil is:

[ UPRUVNL JE 2020 ]

A : 0.4

B : 0.67

C : 0.33

D : 0.5



YouTube CHANNEL

**EVEREXAM**

**Q : Which of the following statements about volume batching is true?**

**[ UPRUVNL JE 2020 ]**

**A : It facilitates accuracy in proportioning of material**

**B : It is not easy to measure granular material in terms of volume.**

**C : Problem of bulking is neglected**

**D : It is a good method for proportioning.**

**YouTube CHANNEL**

**EVEREXAM**





YouTube CHANNEL

**EVEREXAM**



**Q : Which of the following method is NOT used to determine water content in soil? [ UPRUVNL JE 2020 ]**

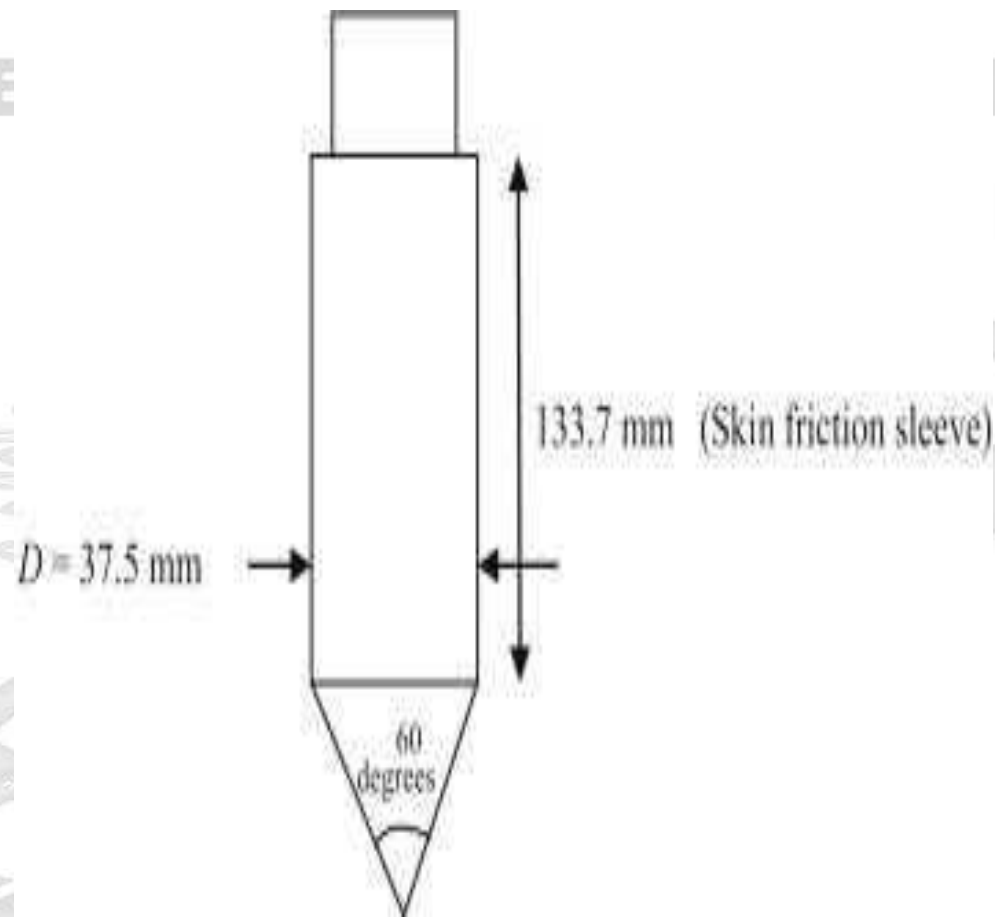
- A : Oven dry penetration method**
- B : Static cone penetration method**
- C : Alcohol method**
- D : Sand bath method.**

**YouTube CHANNEL**

**EVEREXAM**

www.e  
Mob.:

org  
78



YouTube CHANNEL

EVEREXAM

**Q : Settlement the sewage in the pressure of excess oxygen is called:**

**[ UPRUVNL JE 2020 ]**

**A : Deactivated sludge**

**B : Indigested sludge**

**C : Digested sludge**

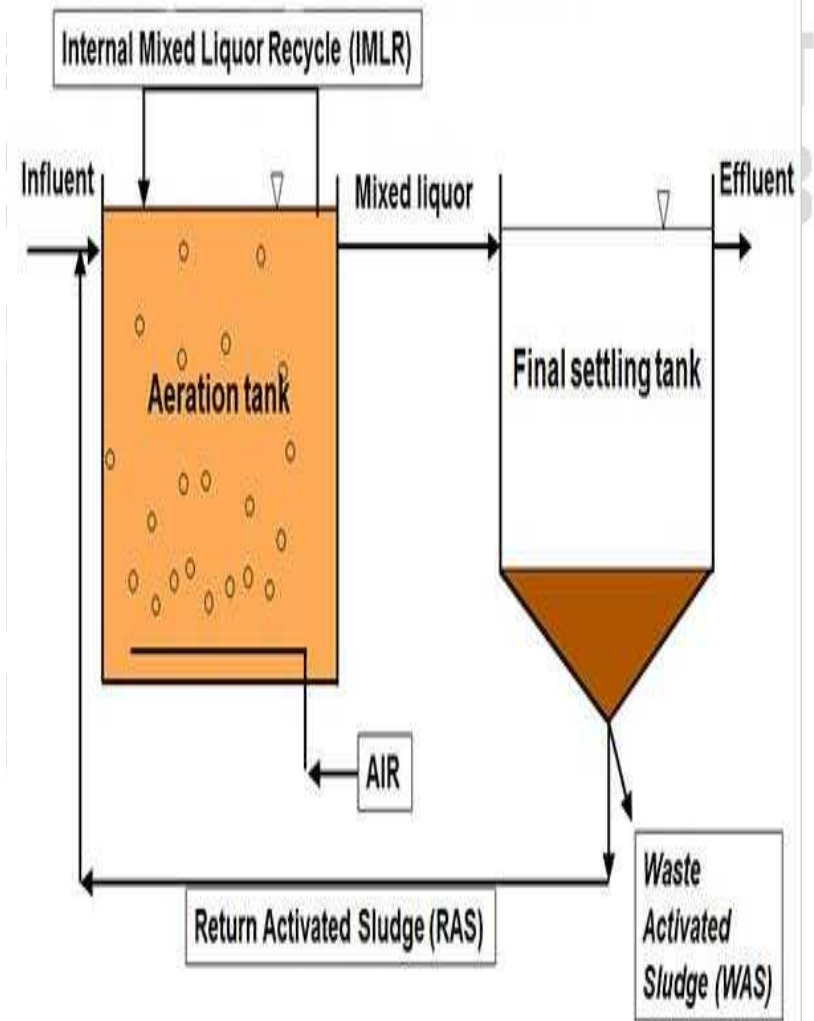
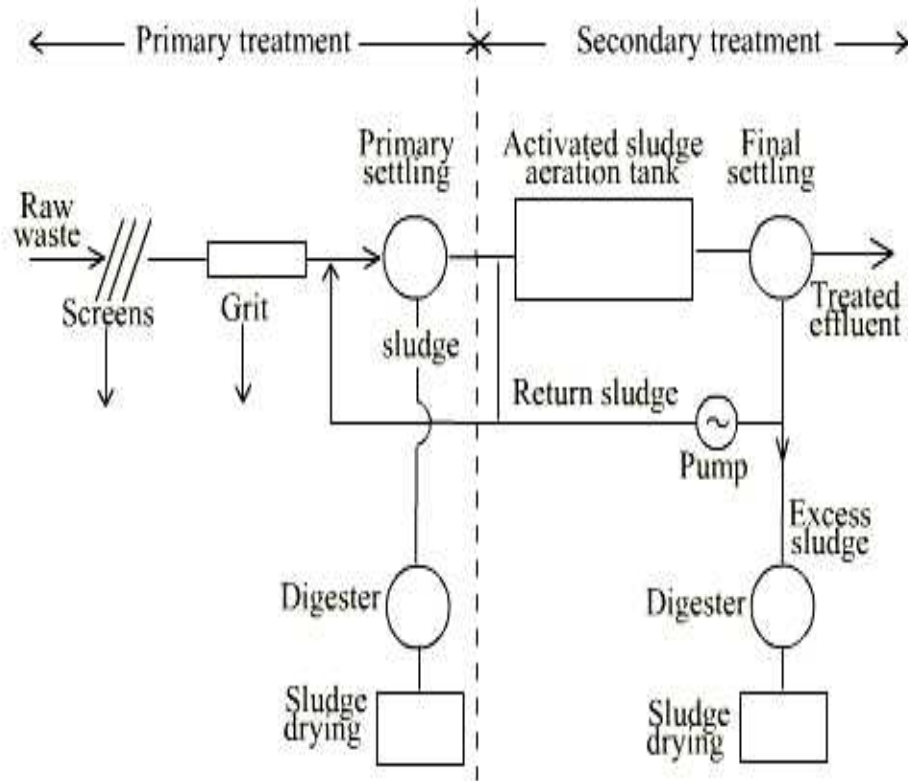
**D : Activated sludge**

**YouTube CHANNEL**

**EVEREXAM**



## Flow sheet of an activated sludge system



YouTube CHANNEL

# EVEREXAM

**Q : Solid particle larger than colloidal particle are called:**

**[ UPRUVNL JE 2020 ]**

**A : Aerosols**

**B : Dust**

**C : Fog**

**D : Smoke**



**YouTube CHANNEL**

**EVEREXAM**

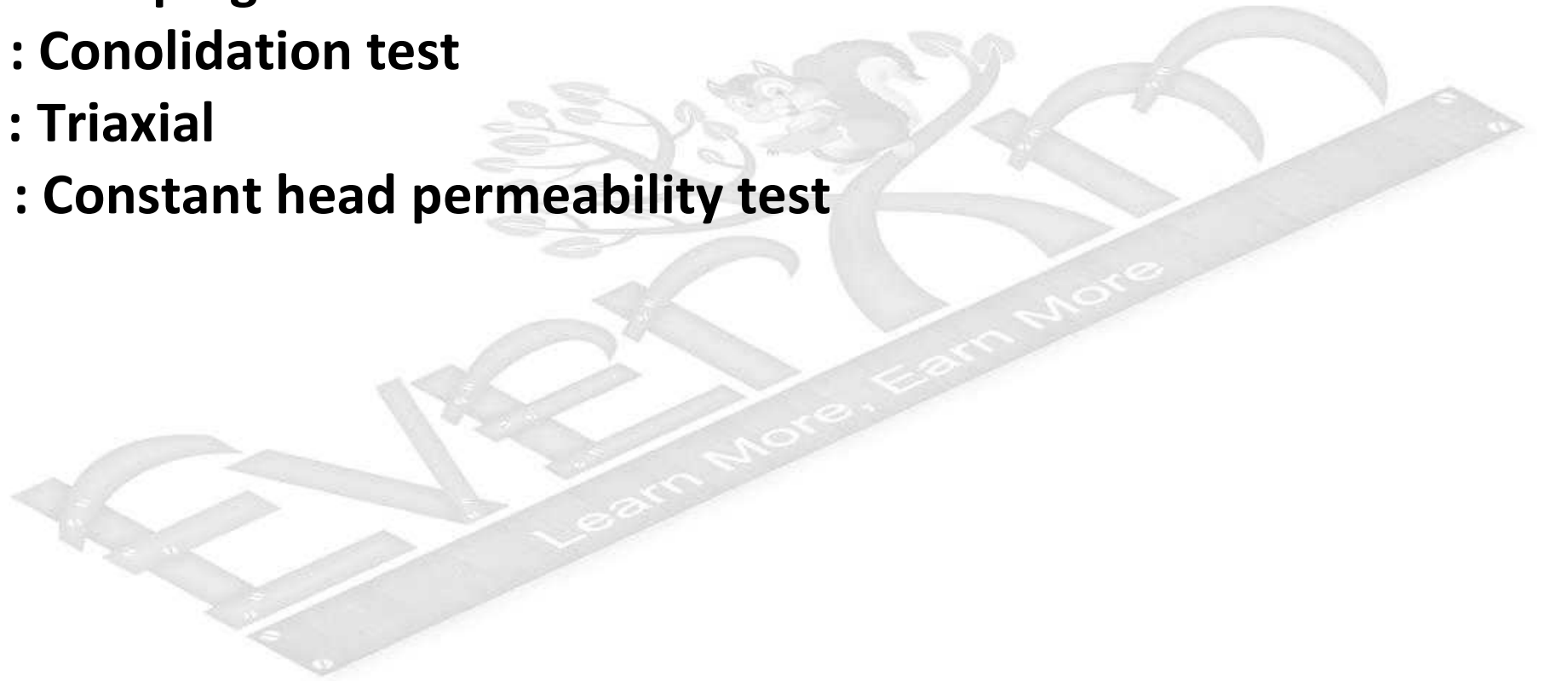
**Q : Which of the following is a field test to determine hydraulic conductivity of soil? [ UPRUVNL JE 2020 ]**

**A : Pumping out test**

**B : Conolidation test**

**C : Triaxial**

**D : Constant head permeability test**



**YouTube CHANNEL**

**EVEREXAM**

Q : The over consolidation ratio for normal consolidated soil is

[ UPRUVNL JE 2020 ]

A : 1

B : < 1

C : 0

D : > 1



YouTube CHANNEL

**EVEREXAM**

**Q : In water curing method, curing of retaining walls or concrete columns is carried out by: [ UPRUVNL JE 2020 ]**

**A : Immersion**

**B : Ponding**

**C : Spraying or fogging**

**D : Stema curing**



**YouTube CHANNEL**

**EVEREXAM**



**Q : Which of the following is NOT a Precaution to be adopted for concreting in sub-zero condition? [ UPRUVNL JE 2020 ]**

**A : Admixture of anti-freezing material**

**B : Sprinkling of water over aggregates**

**C : Electrical heating of concrete mass**

**D : Use of air-entraining agents**

**YouTube CHANNEL**

**EVEREXAM**

**Q : The ration of volume of voids to volume of soil solids is called:**

**[ UPRUVNL JE 2020 ]**

**A : Water content**

**B : Porosity**

**C : Percentage air content**

**D : Voids ratio**



**YouTube CHANNEL**

**EVEREXAM**